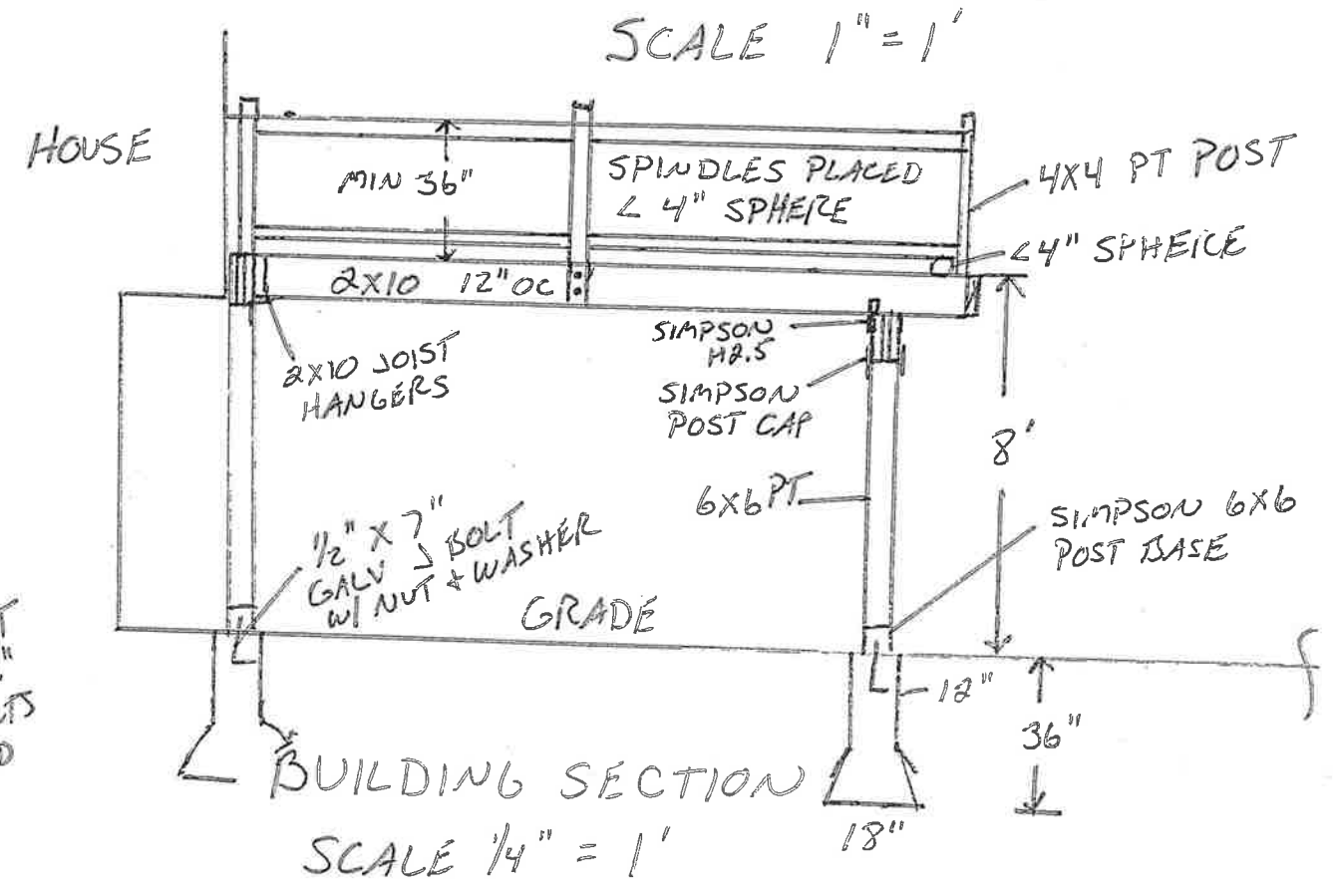
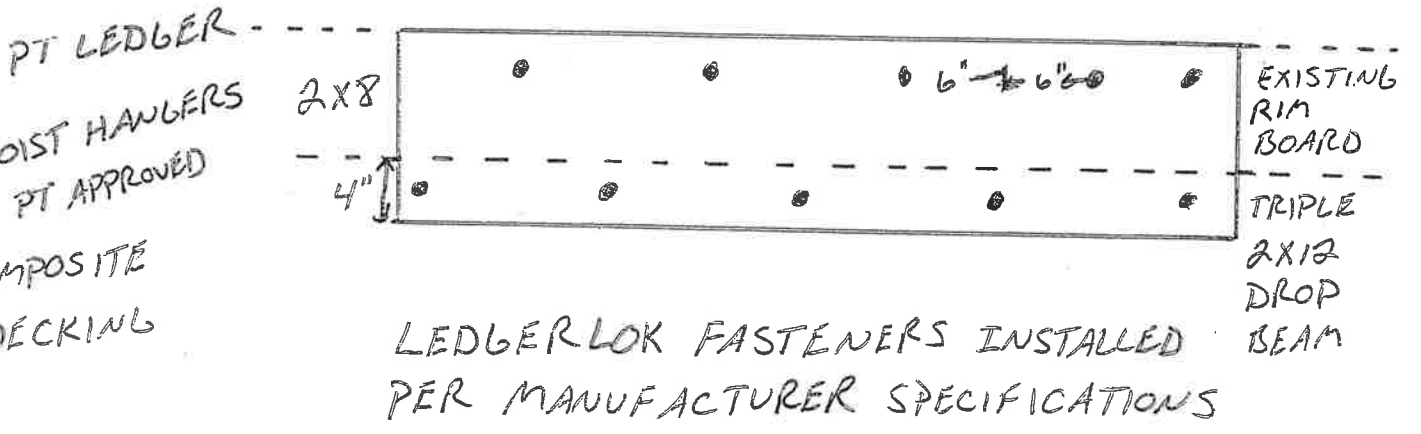
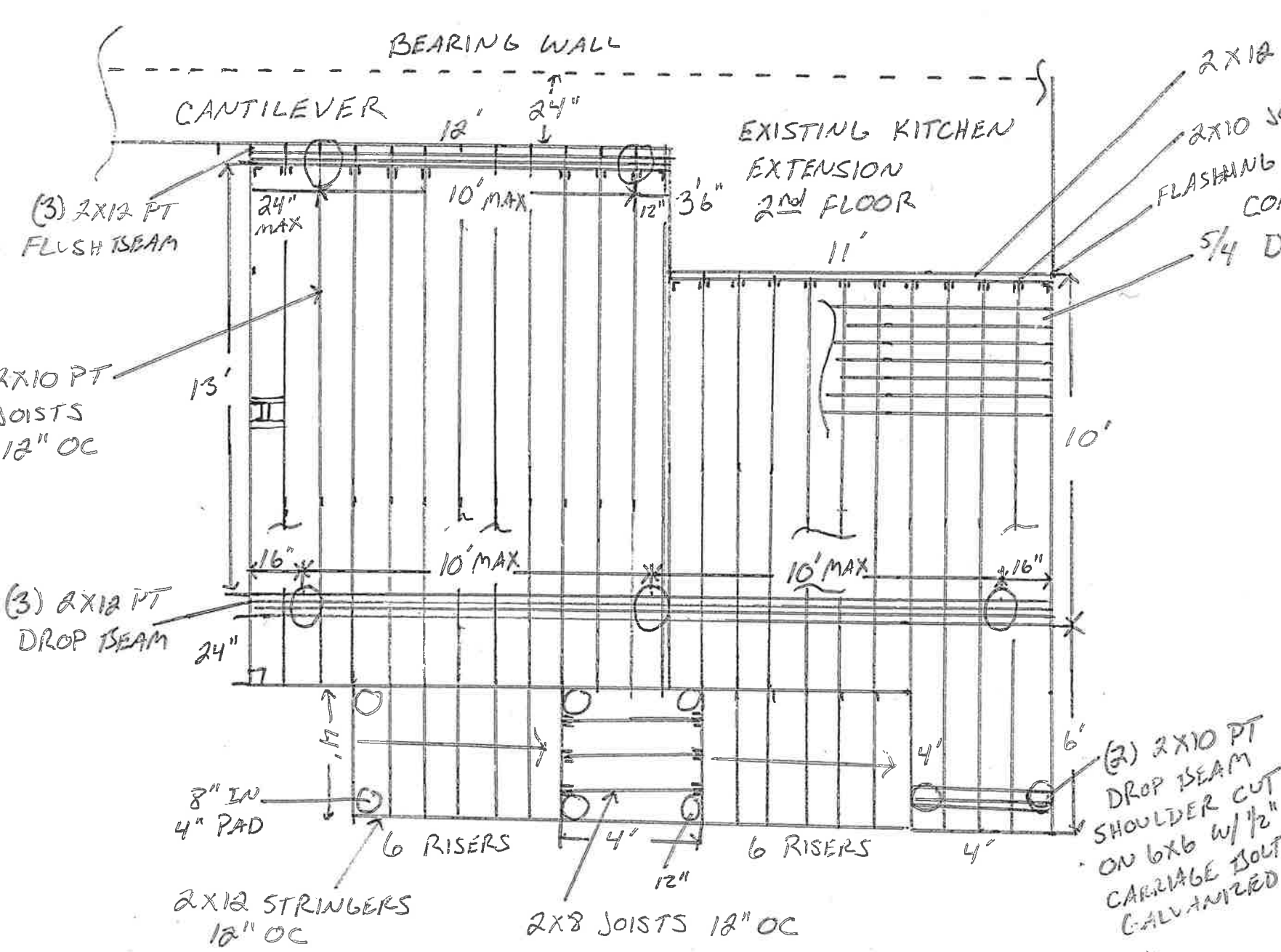


DESIGN EXCEEDS 40 PSF LIVE LOAD / 10 PSF DEAD LOAD

LEDGER DETAIL / ALTERNATE LATERAL LOAD IF APPROVED BY BUILDING OFFICIAL
 @ KITCHEN EXT.



FRAMING AND FOOTING PLAN
 SCALE 1/4" = 1'

- GENERAL NOTES:
1. ALL FASTENERS APPROVED FOR PT CONTACT
 2. DIAGONAL BRACING AS REQUIRED
 3. FOOTING DESIGNED FOR 1500 PSF SOIL BEARING CAPACITY
 4. DECK DESIGNED PER SECTION R507 2015 IRC
 5. STAIR RISE 7 7/8 - 7 1/2", TREAD DEPTH 11" w/ CLOSED RISERS
 6. HANDRAIL PER R311.7.8 2015 IRC